

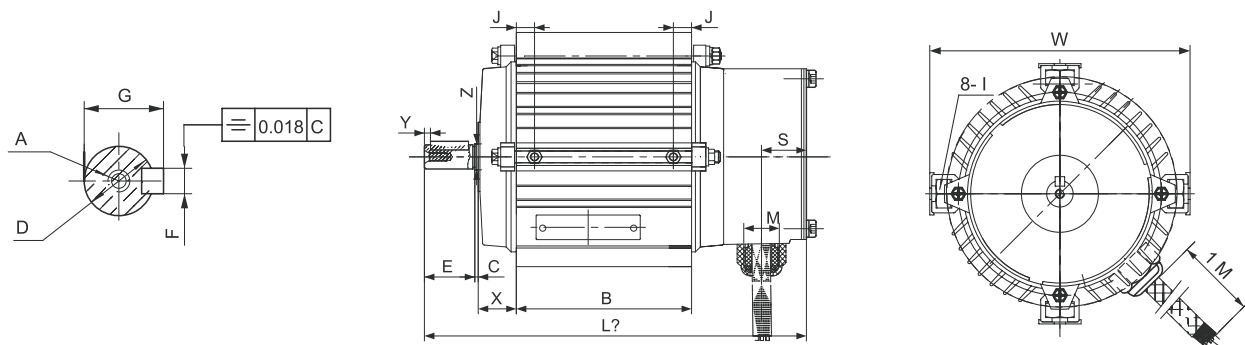


MSV series Three-Phase Aluminum Housing Pad Mount Motors



Technical Data

Model	Output kW	Current (A)			Current (A)			Current (A)			Speed (r.min)	Eff 100%	Power Factor	Tst/Tn (Times)	Tmax/Tn (Times)	Ist/In (Times)	Noise dB(A)	N.W (kgs)	Moment of Inertia (kg*m ²)	Rated Torque(N/M)
		220V	380V	660V	230V	400V	690V	240V	415V	720V										
MSV71A2	0.37	1.76	1.02	0.59	1.67	0.97	0.56	1.61	0.93	0.54	2730	70	0.79	2.2	2.4	6	64	5.6	0.00034	1.3
MSV71B2	0.55	2.57	1.49	0.86	2.45	1.42	0.82	2.36	1.36	0.79	2760	71	0.79	2.2	2.4	6	64	6.1	0.00042	1.9
MSV71C2	0.75	3.33	1.93	1.11	3.18	1.83	1.06	3.06	1.77	1.02	2730	72	0.82	2.2	2.4	6	65	7	0.00054	2.63
MSV80A2	0.75	3.21	1.86	1.07	3.06	1.77	1.02	2.94	1.70	0.98	2770	73	0.84	2.2	2.4	6	67	9.1	0.00083	2.59
MSV80B2	1.1	4.56	2.64	1.52	4.35	2.51	1.45	4.18	2.42	1.39	2770	76.2	0.83	2.2	2.4	6	67	10.2	0.00097	3.79
MSV80C2	1.5	6.04	3.50	2.01	5.87	3.32	1.92	5.54	3.20	1.85	2800	78.5	0.83	2.2	2.4	6	70	11.7	0.00125	5.12
MSV90S2	1.5	5.97	3.46	1.99	5.76	3.28	1.90	5.47	3.16	1.82	2840	78.5	0.84	2.2	2.4	6	72	12	0.00136	5.05
MSV90LA2	2.2	8.39	4.85	2.80	8.00	4.61	2.66	7.69	4.45	2.56	2840	81	0.85	2.2	2.4	6	72	15	0.0017	7.4
MSV90LB2	3.0	11.08	6.42	3.69	10.56	6.10	3.52	10.16	5.88	3.39	2840	82.6	0.86	2.2	2.4	6	74	18.5	0.0021	10.09
MSV100LA2	3.0	10.96	6.34	3.65	10.44	6.03	3.48	10.04	5.81	3.35	2840	82.6	0.87	2.2	2.3	7	76	22.3	0.0036	10.09
MSV100LB2	4.0	14.33	8.3	4.78	13.65	7.88	4.55	13.14	7.6	4.38	2850	84.2	0.87	2.2	2.3	7.5	77	25.2	0.0044	13.41
MSV112M2	4.0	14.33	8.3	4.78	13.65	7.88	4.55	13.14	7.6	4.38	2880	84.2	0.87	2.2	2.3	7.5	77	26.7	0.0054	13.27
MSV112MB2	5.5	19.14	11.08	6.38	18.23	10.53	6.08	17.54	10.15	5.85	2880	85.7	0.88	2.2	2.3	7.5	78	30.2	0.0066	18.25
MSV71A4	0.25	1.52	0.88	0.51	1.45	0.84	0.48	1.39	0.81	0.46	1350	60	0.72	2.2	2.4	6	55	5.4	0.00051	1.77
MSV71B4	0.37	2.02	1.17	0.67	1.92	1.11	0.64	1.85	1.07	0.62	1370	65	0.74	2.2	2.4	6	55	6.2	0.00081	2.58
MSV71C4	0.55	2.92	1.69	0.97	2.78	1.6	0.93	2.67	1.55	0.89	1380	66	0.75	2.2	2.4	6	57	7.3	0.00092	3.81
MSV80A4	0.55	2.87	1.66	0.96	2.74	1.58	0.91	2.63	1.52	0.88	1370	67	0.75	2.2	2.4	6	58	9	0.00128	3.84
MSV80B4	0.75	3.5	2.03	1.17	3.34	1.93	1.11	3.21	1.86	1.07	1380	72	0.78	2.2	2.4	6	58	10	0.0015	5.19
MSV80C4	1.1	4.86	2.81	1.62	4.63	2.67	1.54	4.45	2.57	1.48	1390	76.2	0.78	2.2	2.4	6	60	12.3	0.00184	7.56
MSV90S4	1.1	4.8	2.78	1.6	4.57	2.64	1.52	4.4	2.54	1.47	1400	76.2	0.79	2.2	2.4	6	61	12.1	0.0021	7.51
MSV90LA4	1.5	6.27	3.63	2.09	5.97	3.45	1.99	5.75	3.32	1.92	1400	78.5	0.8	2.2	2.4	6	61	14.6	0.00284	10.24
MSV90LB4	2.2	8.91	5.16	2.97	8.45	4.9	2.83	8.17	4.72	2.72	1400	81	0.8	2.2	2.4	7	63	18.3	0.0037	15.02
MSV100LA4	2.2	8.8	5.09	2.93	8.38	4.84	2.79	8.07	4.66	2.69	1420	81	0.81	2.2	2.3	7	64	21	0.0058	14.8
MSV100LB4	3	11.77	6.81	3.92	11.21	6.47	3.74	10.79	6.24	3.6	1420	82.6	0.81	2.2	2.3	7	64	24.7	0.0073	20.19
MSV100LC4	4	15.2	8.8	5.07	14.18	8.36	4.83	13.94	8.06	4.65	1430	84.2	0.82	2.2	2.3	7	65	29	0.0092	26.73
MSV112M4	4	15.02	8.7	5.01	14.31	8.26	4.77	13.77	7.96	4.59	1430	84.2	0.83	2.2	2.2	7	65	30.5	0.0107	26.73
MSV112ML4	5.5	20.29	11.75	6.76	19.33	11.16	6.44	18.6	10.76	6.2	1440	85.7	0.83	2.2	2.2	7	68	34.8	0.013	36.49
MSV71A6	0.18	1.28	0.74	0.43	1.22	0.7	0.41	1.17	0.68	0.39	880	56	0.66	1.6	1.7	4	52	6	0.00083	1.95
MSV71B6	0.25	1.59	0.92	0.53	1.51	0.87	0.5	1.46	0.84	0.49	900	59	0.7	2.1	2.2	4	52	6.5	0.00095	2.65
MSV71C6	0.37	2.31	1.34	0.77	2.2	1.27	0.73	2.11	1.22	0.7	890	61	0.69	2	2.1	4	54	7.2	0.00114	3.97
MSV80A6	0.37	2.24	1.3	0.75	2.13	1.23	0.71	2.05	1.19	0.68	900	62	0.7	1.9	1.9	4	56	8.2	0.00153	3.93
MSV80B6	0.55	2.99	1.73	1	2.85	1.65	0.95	2.74	1.59	0.91	900	67	0.72	2	2.3	4	56	9.9	0.00232	5.84
MSV80C6	0.75	4.02	2.33	1.34	3.83	2.21	1.28	3.69	2.13	1.23	900	68	0.72	2	2.3	4	58	11.3	0.00286	7.96
MSV90S6	0.75	3.96	2.29	1.32	3.77	2.18	1.26	3.63	2.1	1.21	920	69	0.72	2.2	2.2	5.5	59	11.7	0.00376	7.79
MSV90LA6	1.1	5.49	3.18	1.83	5.23	3.02	1.74	5.03	2.91	1.68	925	72	0.73	2.2	2.2	5.5	59	15.1	0.00467	11.36
MSV90LB6	1.5	7.19	4.16	2.4	6.88	3.97	2.29	6.59	3.81	2.2	930	73	0.75	2.2	2.2	6	61	18	0.00567	15.41
MSV100LA6	1.5	7	4.05	2.33	6.67	3.85	2.22	6.42	3.71	2.14	945	74	0.76	2.2	2.2	6	61	19.1	0.0073	15.17
MSV100LB6	2.2	9.87	5.71	3.29	9.4	5.44	3.13	9.04	5.23	3.01	950	77	0.76	2.2	2.2	6	63	23.4	0.0084	22.13
MSV112M6	2.2	9.74	5.64	3.25	9.28	5.36	3.09	8.93	5.16	2.98	955	78	0.76	2.2	2.2	6	64	25.4	0.013	22.01
MSV112MB6	3	13.28	7.69	4.43	12.7	7.31	4.24	12.17	7.04	4.06	955	78	0.76	2.2	2.2	6	69	30	0.019	30.02



Overall Installation Dimension

Frame	Power (kW)	A	B	C	D	E	F	G	Y	Z	W	I	J	L	X	M	S
MSV71A2	0.37	M5x10	110	2	φ14	30	5	16	4.5	φ14.85	147	M10	11	230	26	M16	22
MSV71B2	0.55	M5x10	125	2	φ14	30	5	16	4.5	φ14.85	147	M10	11	245	26	M16	22
MSV71C2	0.75	M5x10	140	2	φ14	30	5	16	4.5	φ14.85	147	M10	11	260	26	M16	22
MSV71A4	0.25	M5x10	110	2	φ14	30	5	16	4.5	φ14.85	147	M10	11	230	26	M16	22
MSV71B4	0.37	M5x10	125	2	φ14	30	5	16	4.5	φ14.85	147	M10	11	245	26	M16	22
MSV71C4	0.55	M5x10	145	2	φ14	30	5	16	4.5	φ14.85	147	M10	11	265	26	M16	22
MSV71A6	0.18	M5x10	125	2	φ14	30	5	16	4.5	φ14.85	147	M10	11	245	26	M16	22
MSV71B6	0.25	M5x10	135	2	φ14	30	5	16	4.5	φ14.85	147	M10	11	255	26	M16	22
MSV71C6	0.37	M5x10	155	2	φ14	30	5	16	4.5	φ14.85	147	M10	11	275	26	M16	22
MSV80A2	0.75	M6x12	120	2	φ19	40	6	21.5	7	φ19.85	173	M12	13	257	30	M16	26
MSV80B2	1.1	M6x12	135	2	φ19	40	6	21.5	7	φ19.85	173	M12	13	272	30	M16	26
MSV80C2	1.5	M6x12	155	2	φ19	40	6	21.5	7	φ19.85	173	M12	13	292	30	M16	26
MSV80A4	0.55	M6x12	115	2	φ19	40	6	21.5	7	φ19.85	173	M12	13	252	30	M16	26
MSV80B4	0.75	M6x12	135	2	φ19	40	6	21.5	7	φ19.85	173	M12	13	272	30	M16	26
MSV80C4	1.1	M6x12	155	2	φ19	40	6	21.5	7	φ19.85	173	M12	13	292	30	M16	26
MSV80A6	0.37	M6x12	115	2	φ19	40	6	21.5	7	φ19.85	173	M12	13	252	30	M16	26
MSV80B6	0.55	M6x12	135	2	φ19	40	6	21.5	7	φ19.85	173	M12	13	272	30	M16	26
MSV80C6	0.75	M6x12	155	2	φ19	40	6	21.5	7	φ19.85	173	M12	13	292	30	M16	26
MSV90S2	1.5	M6x12	140	8	φ24	50	8	27	4	φ24.85	191	M12	13	310	35	M16	28
MSV90LA2	2.2	M6x12	170	8	φ24	50	8	27	4	φ24.85	191	M12	13	340	35	M16	28
MSV90LB2	3	M6x12	200	8	φ24	50	8	27	4	φ24.85	191	M12	13	370	35	M16	28
MSV90S4	1.1	M6x12	135	8	φ24	50	8	27	4	φ24.85	191	M12	13	305	35	M16	28
MSV90LA4	1.5	M6x12	160	8	φ24	50	8	27	4	φ24.85	191	M12	13	330	35	M16	28
MSV90LB4	2.2	M6x12	195	8	φ24	50	8	27	4	φ24.85	191	M12	13	365	35	M16	28
MSV90S6	0.75	M6x12	135	8	φ24	50	8	27	4	φ24.85	191	M12	13	305	35	M16	28
MSV90LA6	1.1	M6x12	170	8	φ24	50	8	27	4	φ24.85	191	M12	13	340	35	M16	28
MSV90LB6	1.5	M6x12	200	8	φ24	50	8	27	4	φ24.85	191	M12	13	370	35	M16	28
MSV100LA2	3	M8x16	150	8	φ28	60	8	31	4	φ29.7	211	M12	13	331	27	M20	25
MSV100LB2	4	M8x16	175	8	φ28	60	8	31	4	φ29.7	211	M12	13	356	27	M20	25
MSV100LA4	2.2	M8x16	150	8	φ28	60	8	31	4	φ29.7	211	M12	13	331	27	M20	25
MSV100LB4	3	M8x16	175	8	φ28	60	8	31	4	φ29.7	211	M12	13	356	27	M20	25
MSV100LC4	4	M8x16	210	8	φ28	60	8	31	4	φ29.7	211	M12	13	391	27	M20	25
MSV100LA6	1.5	M8x16	150	8	φ28	60	8	31	4	φ29.7	211	M12	13	331	27	M20	25
MSV100LAB	2.2	M8x16	185	8	φ28	60	8	31	4	φ29.7	211	M12	13	366	27	M20	25
MSV112M2	4	M8x16	165	4	φ28	60	8	31	4	φ29.7	211	M12	13	337	28	M25	25
MSV112L2	5.5	M8x16	190	4	φ28	60	8	31	4	φ29.7	211	M12	13	362	28	M25	25
MSV112M4	4	M8x16	190	4	φ28	60	8	31	4	φ29.7	211	M12	13	362	28	M25	25
MSV112L4	5.5	M8x16	220	4	φ28	60	8	31	4	φ29.7	211	M12	13	392	28	M25	25
MSV112M6	2.2	M8x16	165	4	φ28	60	8	31	4	φ29.7	211	M12	13	337	28	M25	25
MSV112L6	3	M8x16	200	4	φ28	60	8	31	4	φ29.7	211	M12	13	372	28	M25	25

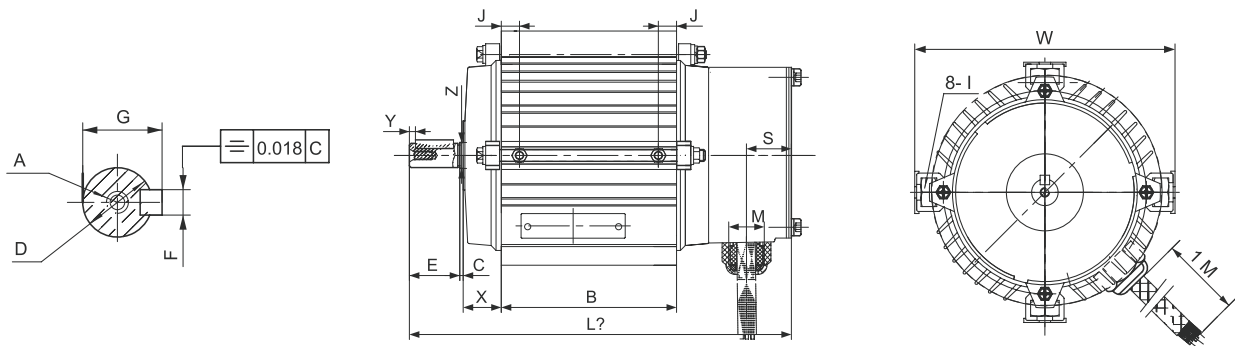


MYV series Single-Phase Aluminum Housing Pad Mount Motors



Technical Data

Model	Output	Current	Speed	Eff	Power	Starting Torque	Max Torque	Starting Current	Run Capacitor	Noise	Weight
	kW	(A)	(r/min)	%	Factor	Rating Torque	Rating Torque	(A)	(μ F/V)	dBA	kGS
MYV71A2	0.37	2.60	2780	67	0.93	0.50	1.7	10	12 μ F/450V	75	5.6
MYV71B2	0.55	3.50	2790	73	0.95	0.50	1.8	15	16 μ F/450V	75	7.0
MYV71C2	0.75	4.50	2810	74	0.97	0.48	1.8	20	25 μ F/450V	75	8.0
MYV80A2	0.75	4.40	2810	74	0.98	0.40	1.8	19	25 μ F/450V	75	8.5
MYV80B2	1.1	6.30	2810	75	0.98	0.40	1.8	30	35 μ F/450V	78	11.0
MYV80C2	1.5	8.50	2810	77	0.98	0.33	1.8	40	40 μ F/450V	80	13.0
MYV90S2	1.5	8.40	2820	77	0.98	0.33	1.7	35	45 μ F/450V	80	13.7
MYV90L2	2.2	12.10	2850	78	0.98	0.29	1.8	61	60 μ F/450V	80	16.7
MYV100L2	3.0	16.50	2860	79	0.99	0.28	1.8	73	80 μ F/450V	83	23.1
MYV71A4	0.25	1.80	1390	61	0.96	0.50	1.6	5	14 μ F/450V	65	5.8
MYV71B4	0.37	2.70	1390	62	0.96	0.50	1.6	8	16 μ F/450V	68	6.9
MYV71C4	0.55	3.70	1390	64	0.97	0.48	1.7	12	20 μ F/450V	70	8.0
MYV80A4	0.55	3.50	1410	64	0.98	0.37	1.8	13	25 μ F/450V	70	9.6
MYV80B4	0.75	4.70	1410	68	0.98	0.37	1.7	17	30 μ F/450V	70	10.5
MYV90S4	1.1	6.30	1410	71	0.98	0.35	1.8	24	40 μ F/450V	73	13.1
MYV90L4	1.5	8.50	1420	73	0.96	0.33	1.8	36	45 μ F/450V	75	16.5
MYV100LA4	2.2	12.90	1440	77	0.96	0.32	1.8	57	80 μ F/450V	78	22.8
MYV71A6	0.18	1.49	920	57	0.92	0.45	1.5	4	16 μ F/450V	68	6.3
MYV71B6	0.25	2.00	920	59	0.92	0.45	1.5	5	20 μ F/450V	68	7.6
MYV80A6	0.37	2.78	920	63	0.92	0.35	1.6	8	20 μ F/450V	68	9.0
MYV80B6	0.55	3.90	920	66	0.95	0.35	1.6	14	25 μ F/450V	70	11.6
MYV90S6	0.75	5.05	920	68	0.95	0.35	1.6	16	35 μ F/450V	70	13.5
MYV90L6	1.1	7.30	920	69	0.95	0.35	1.6	25	50 μ F/450V	70	16.2



Overall Installation Dimension

Frame	Power (kW)	A	B	C	D	E	F	G	Y	Z	W	I	J	L	X	M	S
MYV71A2	0.37	M5x10	115	2	φ14	30	5	16	4.5	φ14.85	147	M10	11	235	26	M16	22
MYV71B2	0.55	M5x10	135	2	φ14	30	5	16	4.5	φ14.85	147	M10	11	255	26	M16	22
MYV71C2	0.75	M5x10	155	2	φ14	30	5	16	4.5	φ14.85	147	M10	11	275	26	M16	22
MYV71A4	0.25	M5x10	20	2	φ14	30	5	16	4.5	φ14.85	147	M10	11	240.0	26	M16	22
MYV71B4	0.37	M5x10	140	2	φ14	30	5	16	4.5	φ14.85	147	M10	11	260.0	26	M16	22
MYV71C4	0.55	M5x10	160	2	φ14	30	5	16	4.5	φ14.85	147	M10	11	280.0	26	M16	22
MYV71A6	0.18	M5x10	135	2	φ14	30	5	16	4.5	φ14.85	147	M10	11	255	26	M16	22
MYV71B6	0.25	M5x10	150	2	φ14	30	5	16	4.5	φ14.85	147	M10	11	270	26	M16	22
MYV80A2	0.75	M6x12	125	2	φ19	40	6	21.5	7	φ19.85	173	M12	13	267	30	M16	26
MYV80B2	1.1	M6x12	145	2	φ19	40	6	21.5	7	φ19.85	173	M12	13	287	30	M16	26
MYV80C2	1.5	M6x12	165	2	φ19	40	6	21.5	7	φ19.85	173	M12	13	307	30	M16	26
MYV80A4	0.55	M6x12	130	2	φ19	40	6	21.5	7	φ19.85	173	M12	13	272	30	M16	26
MYV80B4	0.75	M6x12	145	2	φ19	40	6	21.5	7	φ19.85	173	M12	13	287	30	M16	26
MYV80A6	0.37	M6x12	140	2	φ19	40	6	21.5	7	φ19.85	173	M12	13	282	30	M16	26
MYV80B6	0.55	M6x12	165	2	φ19	40	6	21.5	7	φ19.85	173	M12	13	307	30	M16	26
MYV90S2	1.5	M6x12	150	8	φ24	50	8	27	4	φ24.85	191	M12	13	320	35	M16	28
MYV90L2	2.2	M6x12	180	8	φ24	50	8	27	4	φ24.85	191	M12	13	350	35	M16	28
MYV90S4	1.1	M6x12	155	8	φ24	50	8	27	4	φ24.85	191	M12	13	325	35	M16	28
MYV90L4	1.5	M6x12	185	8	φ24	50	8	27	4	φ24.85	191	M12	13	355	35	M16	28
MYV90S6	0.75	M6x12	155	8	φ24	50	8	27	4	φ24.85	191	M12	13	325	35	M16	28
MYV90L6	1.1	M6x12	195	8	φ24	50	8	27	4	φ24.85	191	M12	13	365	35	M16	28
MYV100L2	3	M8x16	175	8	φ28	60	8	31	4	φ29.7	211	M12	13	356	27	M20	28
MYV100LA4	2.2	M8x16	175	8	φ28	60	8	31	4	φ29.7	211	M12	13	356	27	M20	28